

HYBRID PRODUCTS



Miniature Trilobe Plug



Standard Dry Mate Plug

Dry-Mate Submersible Connector

A high reliability hybrid connector suitable for dry-mate applications.

The Teledyne ODI Dry-Mate Submersible connector series is designed to directly complement the Teledyne ODI Wet-Mate Hybrid connector series (Rolling Seal Hybrid) and also for use as a stand-alone Hybrid Dry-Mate Submersible Connection System.

This high reliability connection system features a robust single-piece, precision machined shell designed to accept a variety of electro-optical contact/channel configurations from 1–12 circuits, together with a threaded-style locking ring.

Two standard shell sizes are available, dependent on the circuit configuration. In addition; straight, 45-degree or 90-degree termination versions can be provided in a compact manually coupled footprint.

A unique tri-lobe keying system assures proper alignment without sacrificing space inside the connector for alignment features.

Used in conjunction with our Oil-Filled Hose, this system is designed for submersible applications up to 9,100 psi.

FULL LINE OF HYBRID PRODUCTS:

- NRH – Nautilus™ Rolling Seal Hybrid up to 6 Circuits
- MCDU – Modular Connectorized Distribution Unit
- FACT – Field Assembled Cable Termination
- Dry-Mate Submersible Connector

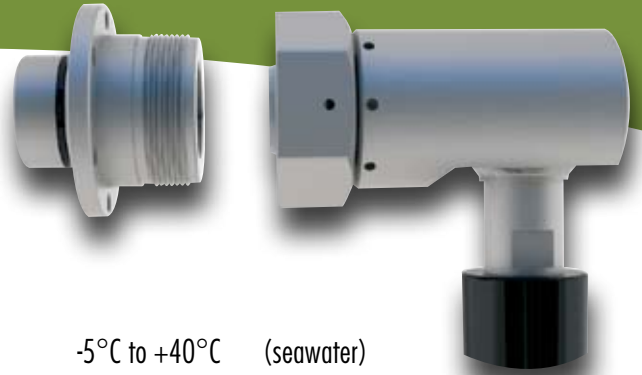
HYBRID PRODUCT DATA SHEETS:

To access the electronic version of this document, go to:

www.odi.com/Products.html



Teledyne ODI is the world leader in subsea electrical and fiber optic interconnect systems for offshore oil and gas, defense, oceanographic, and telecommunication applications.



Dry-Mate Submersible Connector

GENERAL SPECIFICATIONS

Operational Temperature:	-5°C to +40°C (seawater) -30°C to +50°C (air)
Storage Temperature:	-30°C to +60°C
Operational Pressure:	9,100 psi
Mate/Demate Cycles:	≤100
Mating Torque:	35±5 in-lbs
Type:	Dry-Mate
Material:	316L SS (standard), Titanium CP Gr2
Key Way:	Tri-Lobe for optimized footprint & coupling ease
Design Life:	25 Years

OPTICAL & ELECTRICAL SPECIFICATIONS

Number of Circuits:	Any combination of Electrical/Optical contacts Miniature: 1 through 3 Standard: 4 through 18 Contact Teledyne ODI for other configurations
Max Operational Current:	7 amps per circuit
Max Operational Voltage:	700 VAC/1000 VDC
Insertion Loss:	<0.5 dB @ 1310/1550 nm
Return Loss:	<-30 dB @ 1310/1550 nm
Contact Resistance:	≤10 Ω per contact

1026 North Williamson Boulevard, Daytona Beach, FL 32114

tel +1 386 236 0780 • 888 506 2326 • fax +1 386 236 0906



TELEDYNE ODI

A Teledyne Technologies Company



IFS D/N 80461 REV. E

This product is covered by one or more of the following U.S. and/or foreign patents; 4,948,377; 5,203,805; 5,171,158; 5,194,012; 1,296,783; 5,645,438; 5,685,727; 5,722,842; 5,645,442; 5,772,457; 5,738,535; 5,873,750; 6,067,395; 6,321,021; 6,315,461; 6,017,227; 6,608,960; 6,439,778; 6,332,787; 6,665,477; 6,402,539; 6,510,270; 6,543,965; 6,796,821; 6,910,910. Other pending U.S. and foreign patents may apply.

CONTACT:

- odi_marketing@teledyne.com
- www.odi.com
1 888 506 2326
- Teledyne ODI Corporate
tel: +1 386 236 0780
fax: +1 386 236 0906
- Europe (UK)
tel: +44 (0) 1358 729564
fax: +44 (0) 1358 729566
- Sales & Marketing (UK)
tel: +44 (0) 7747 774368
- Houston (USA)
tel: +1 281 875 1717
fax: +1 281 875 6161
- Brazil
tel: +55 21 2612 9096
fax: +55 21 2612 9097