

Fiber-Optics

Linking Energy Solutions

Dry-Mate CONNECTORS



Mini-DMO

Compact Single-Circuit Connector



DMO

Connector Family with up to 18 Circuits, Optical and/or Electrical

Wet-Mate CONNECTORS



NRH

Hybrid Connector with up to 6 Circuits



Rolling-Seal

Hybrid Connector with up to 8 Circuits



I-CONN

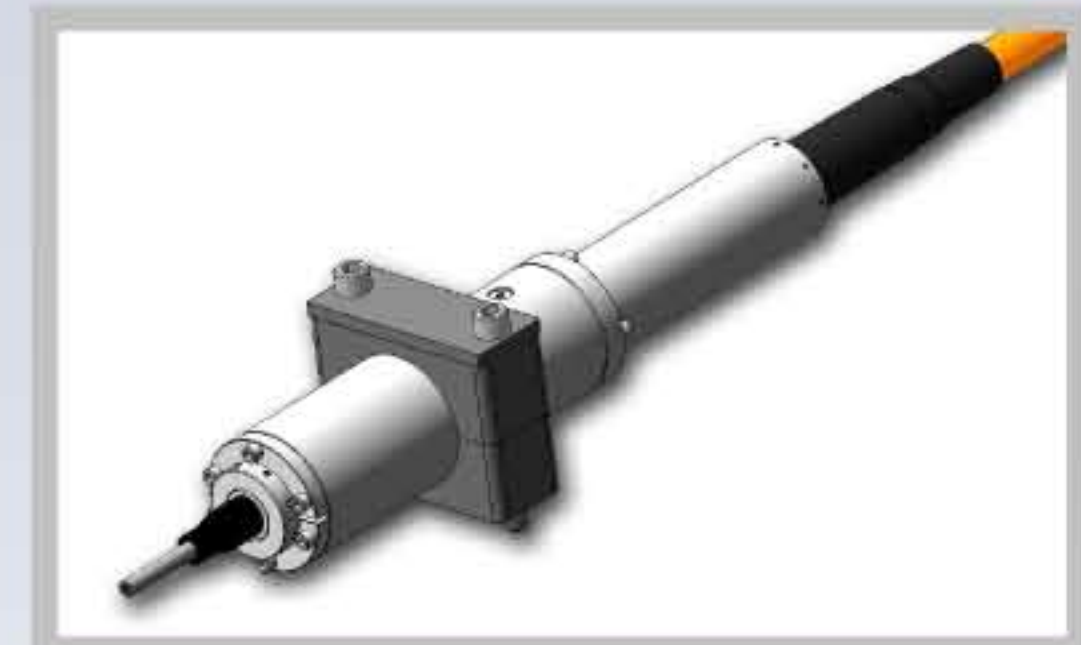
Optical Connector with 2 Circuits

Ancillary Products



JUMPER Assembly

PRESSURE-BALANCED, Oil-Filled Hose Type
HARNESS for Optical (AND Hybrid)
INTERCONNECTION



Optical FACT

High Integrity + Cable Termination for
Optical (AND Hybrid) Cables



ZERO-LOSS Optical PENETRATOR

High-PRESSURE FEED-THROUGH
with up to 12 FIBERS